

# 5mm SQUARE THIN TYPE ISOLATOR

## MODEL **ESI-5BB** [ ] **0906 M 01 - T**

(1)      (2)      (3)      (4)      (5)      (6)

(1) Series **ESI-5BB ; 2.0mm Height for 800MHz Band**

(2) Rotating Direction (R or L)

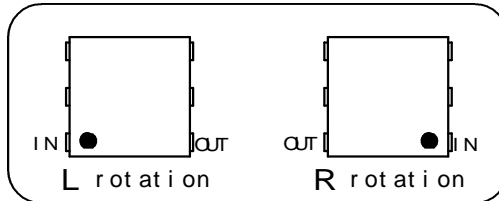
(3) Center Frequency

(4) M ; MHz

(5) Control No.

(6) T ; Taping

Blank;Bulk



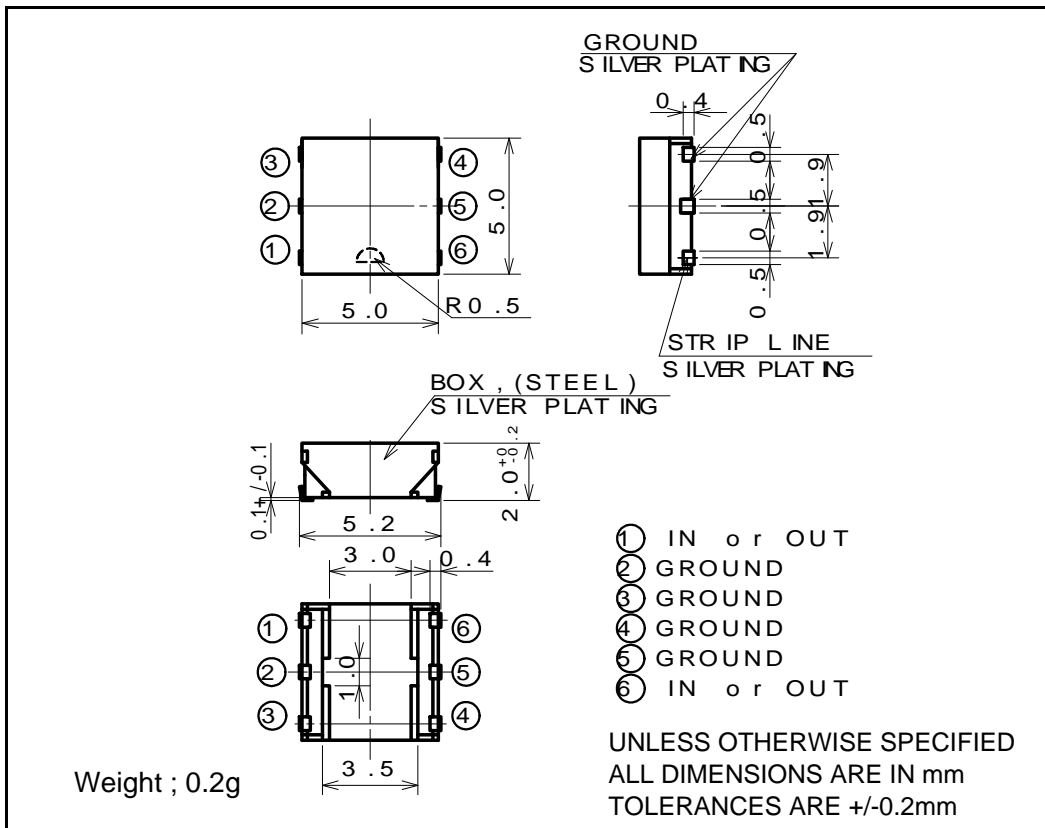
### Specification

| Frequency<br>(MHz) | Ins. Loss<br>Max.<br>(dB) | Isolation<br>Min.<br>(dB) | V.S.W.R.<br>Max. | Attenuation           |                       | Handling<br>Power<br>Max.<br>(W) | Reflection<br>Power<br>Max.<br>(W) |
|--------------------|---------------------------|---------------------------|------------------|-----------------------|-----------------------|----------------------------------|------------------------------------|
|                    |                           |                           |                  | at 2f<br>Min.<br>(dB) | at 3f<br>Min.<br>(dB) |                                  |                                    |
| 887-925            | 0.70                      | 12                        | 1.6              | 15                    | 15                    | 5.0                              | 1.0                                |

Operating Temperature(deg.C) ; -35 to +85

Impedance ; 50 ohms Typ.

### Shape & Size



TAE913